



8011 | Size: D:350 - W:150 - H:1320 mm
Unit: D:400 - W:200 - H:1800 mm

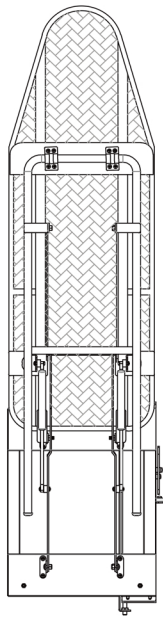
میز اتو ریلی ایستاده

Stock Wardrobe
 Accessories


Assembly Instruction

Before you start

1. Please check the packing and make sure you have all the parts & fitting listed. If not, please call our after-sales service team for assistance, we will soon deliver you the missing parts.
2. When you are ready to start, make sure that the right tools to hand, plenty of space dry area for assembly.

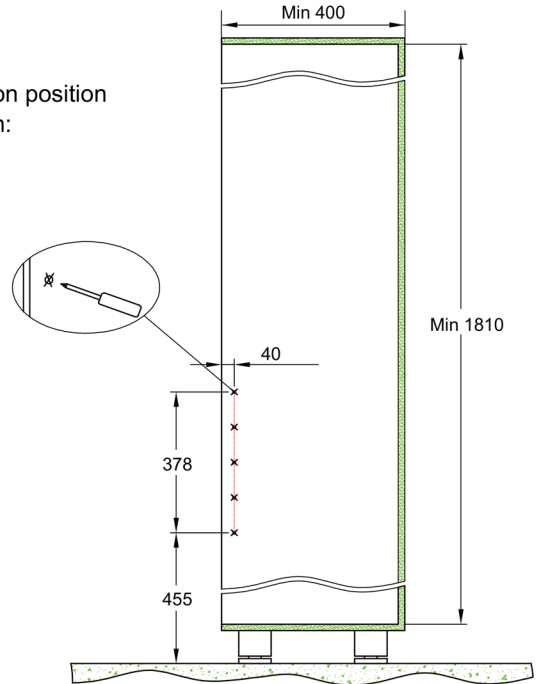


Ironing Board 1pc

 Screw(M4*18)
 8pcs

①

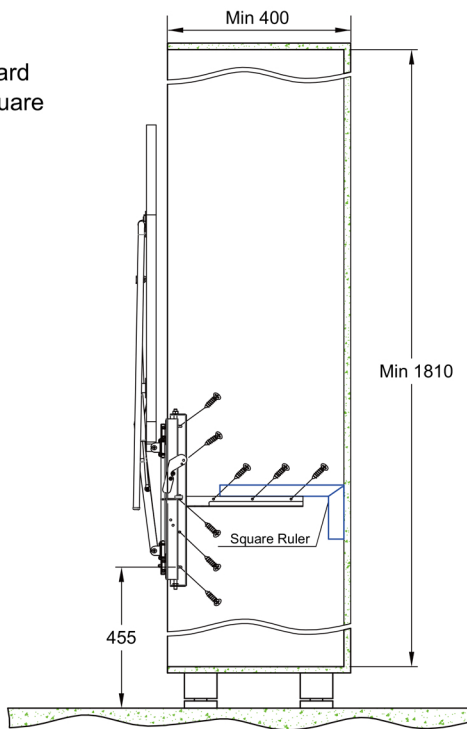
Installation position
 as shown:



Parts list

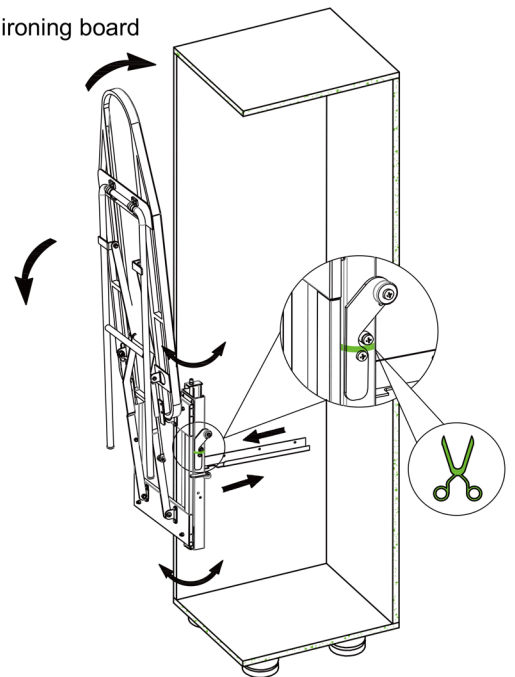
②

Fix the ironing board
 by screws and square
 ruler as shown.



③

Pull out the ironing board
 as shown.



Care & Use

1. Wipe clean with a soft damp cloth, Never use scourers, abrasives or chemical cleaners.
2. Keep the slides get rid of water to protect the slides thus make sure the smooth sliding.
3. For help and assistance, please contact our after-sales services team.