

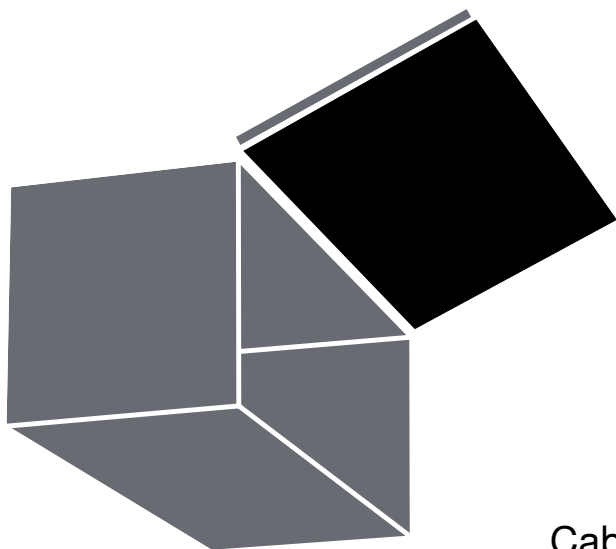
AVENTOS

# HK-XS

INSTALLATION  
SHEET

 **blum**<sup>®</sup>

迷你上翻门说明书

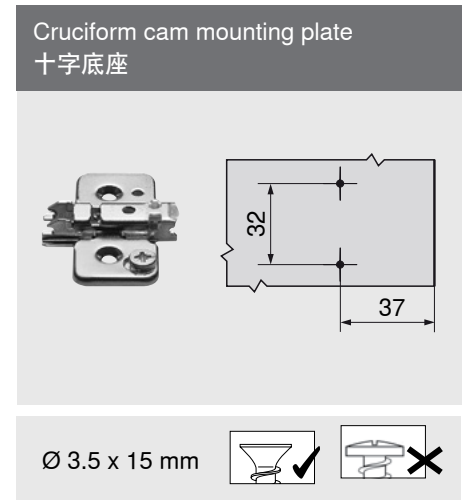
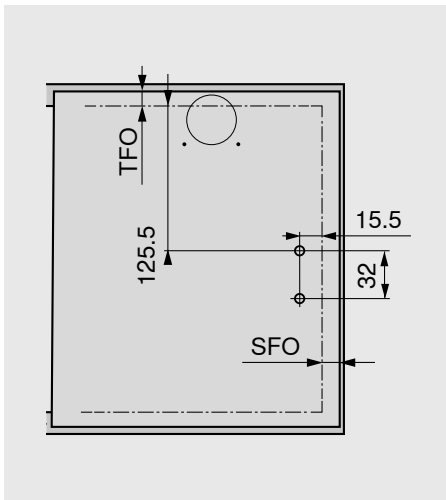
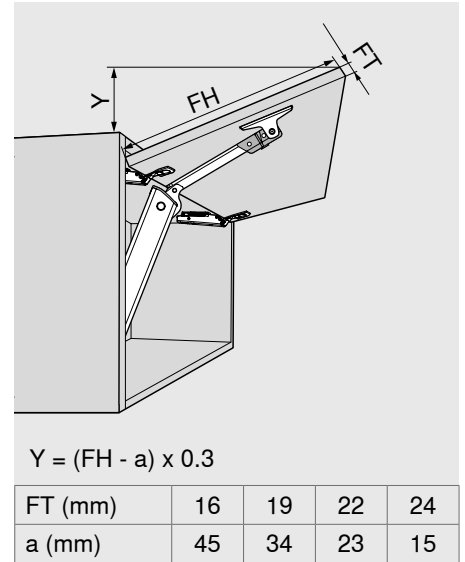
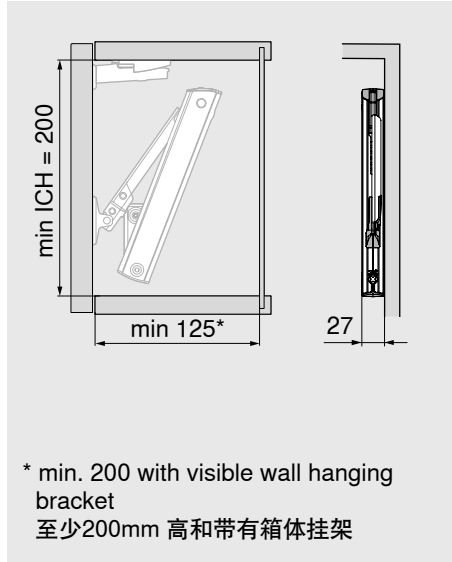
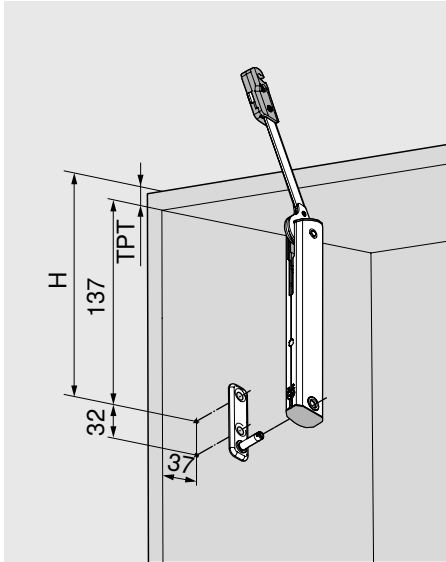


Cabinet Height/橱身最高: 240 - 600 mm



# AVENTOS HK-XS - Wooden fronts 木制门 / Wide aluminium frames 铝制门框

## Planning 规划



### Number of Hinges 铰链的数量:

3 hinges starting at cabinet width 900 mm and/or power factor 1,800  
如橱宽度是900mm 或力矩在1,800, 需要3个铰链

4 hinges starting at cabinet width 1,200 mm and/or power factor 2,700  
如橱宽度是1,200mm 或力矩在2,700, 需要4个铰链

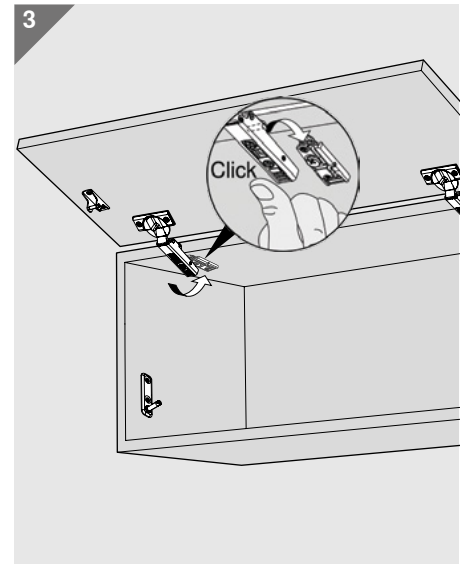
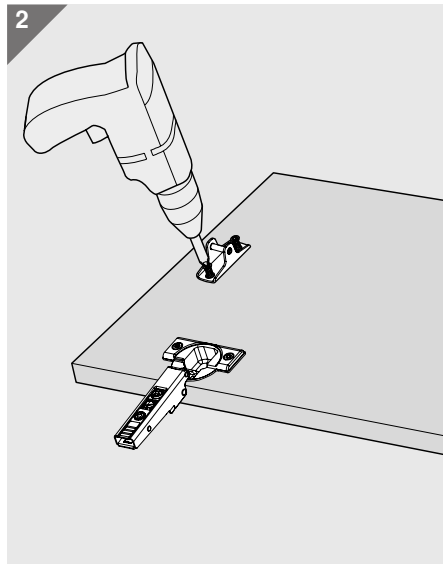
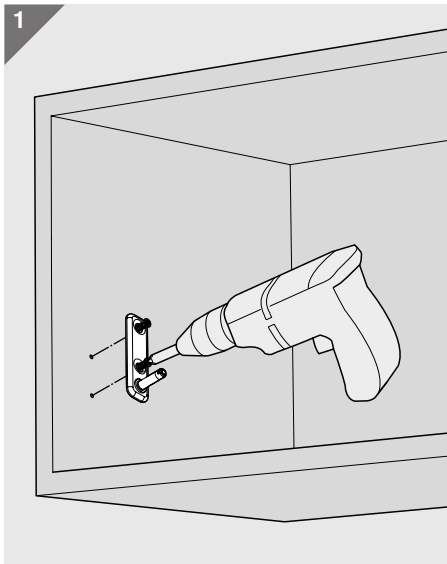
### Legend 称号:

FH	Front Height 门高
FT	Front Thickness 门厚
H	Height 高度
ICH	Internal Cabinet Height 橱内高度

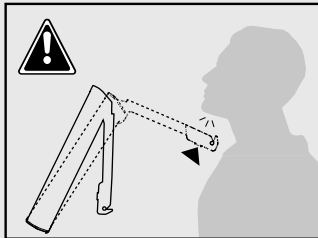
SFO	Side Front Overlay 面板与箱体侧面重叠的部分
TFO	Top Front Overlay 面板与箱体顶面重叠的部分
TPT	Top Panel Thickness 顶板的厚度

# AVENTOS HK-XS - Wooden fronts 木制门 / Wide aluminium frames 铝制门框

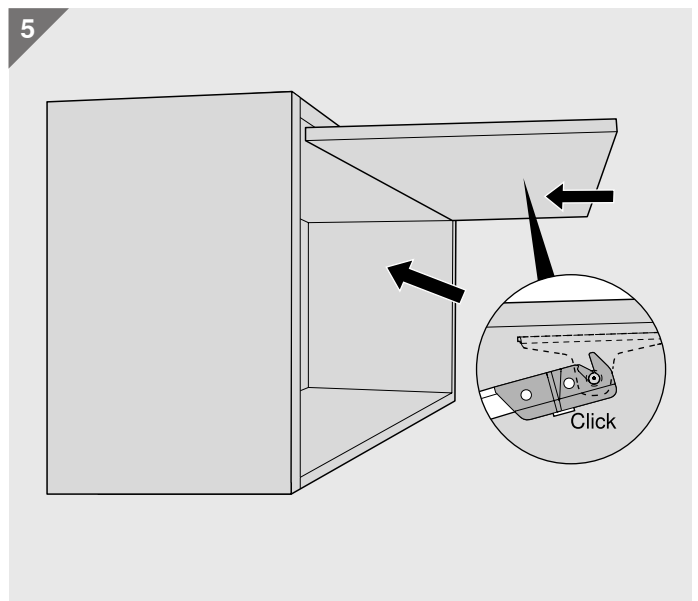
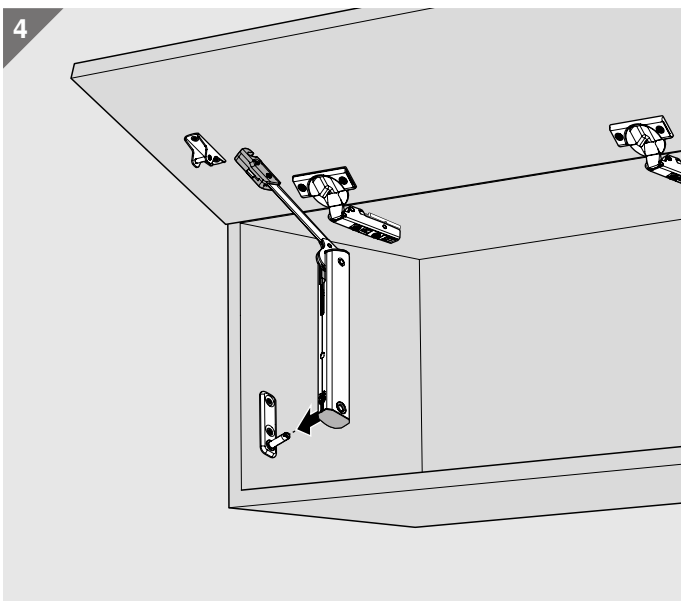
## Assembly 安装指示



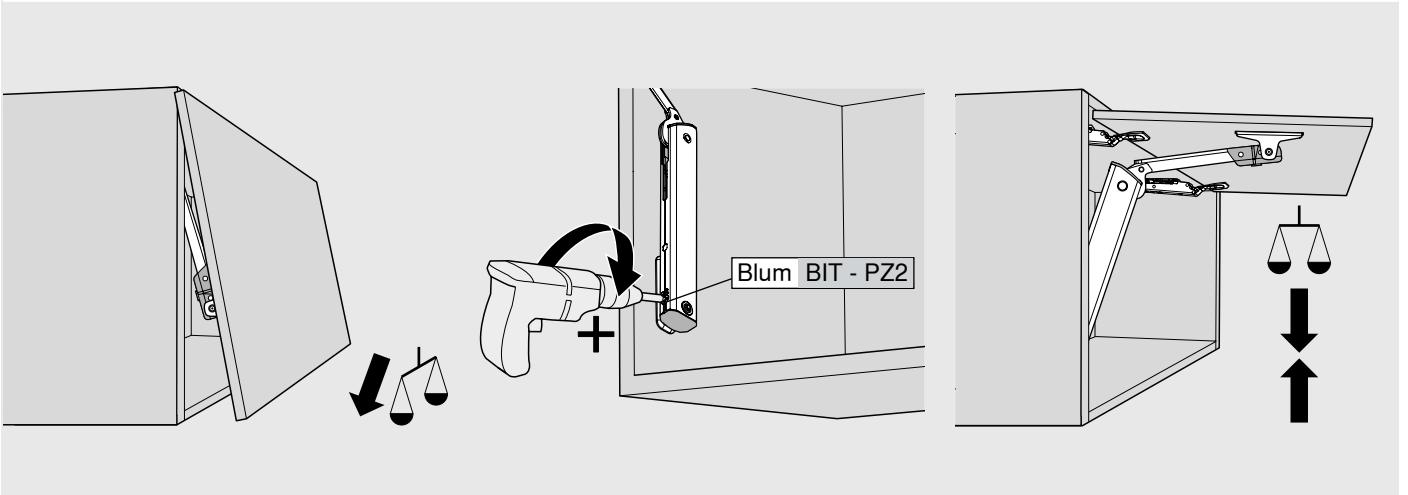
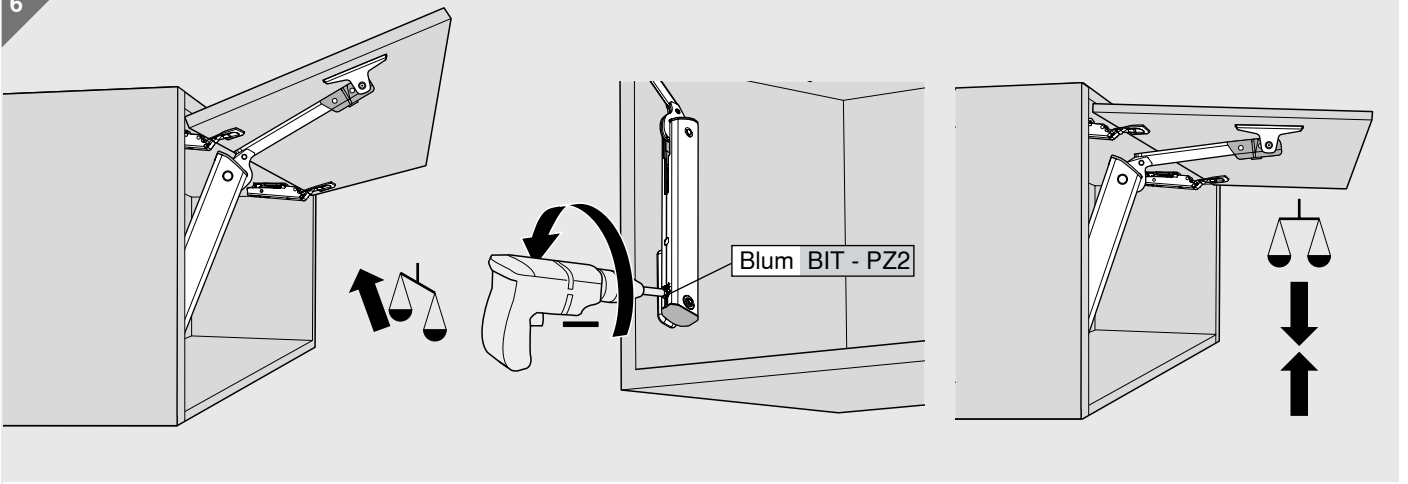
### WARNING 警告



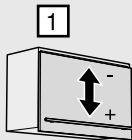
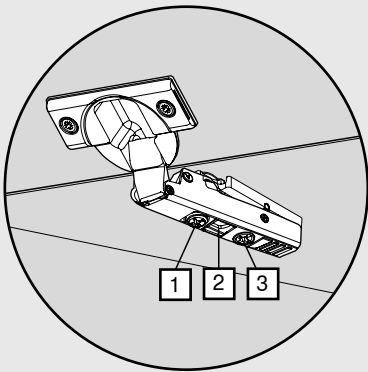
- Do not close the lever arm!  
在没装上门前，请勿把伸缩臂压下
- Lever could spring up and cause injury!  
伸缩臂会弹伤人



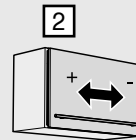
6



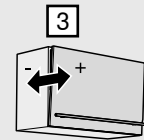
7



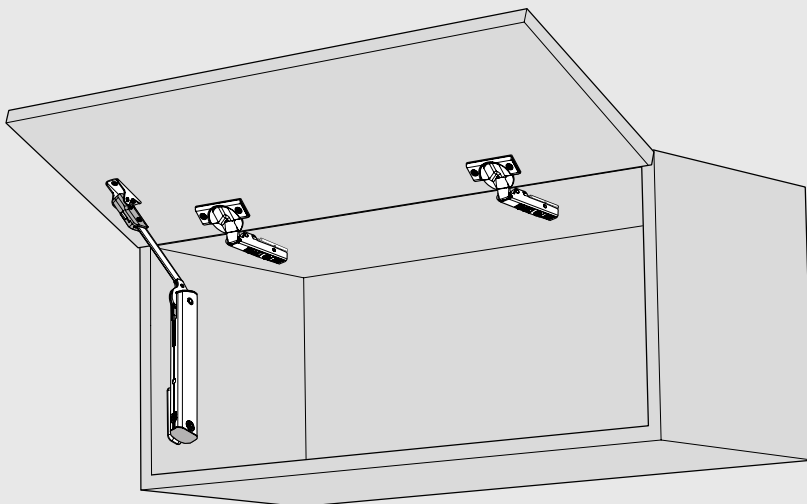
± 2 mm



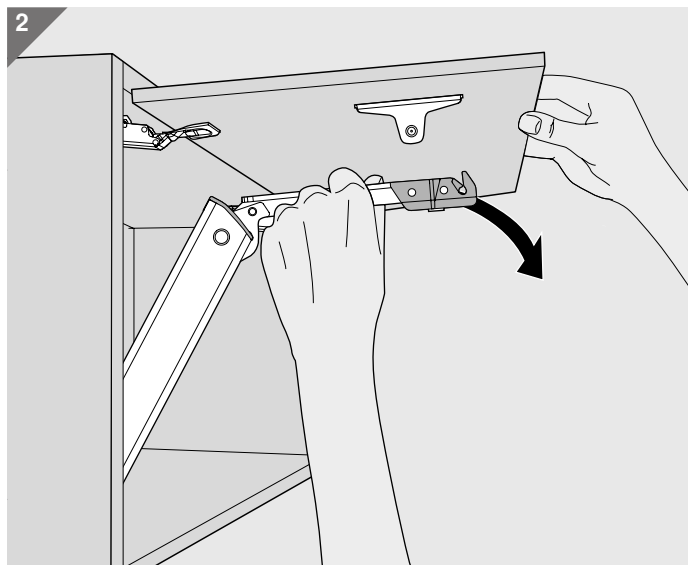
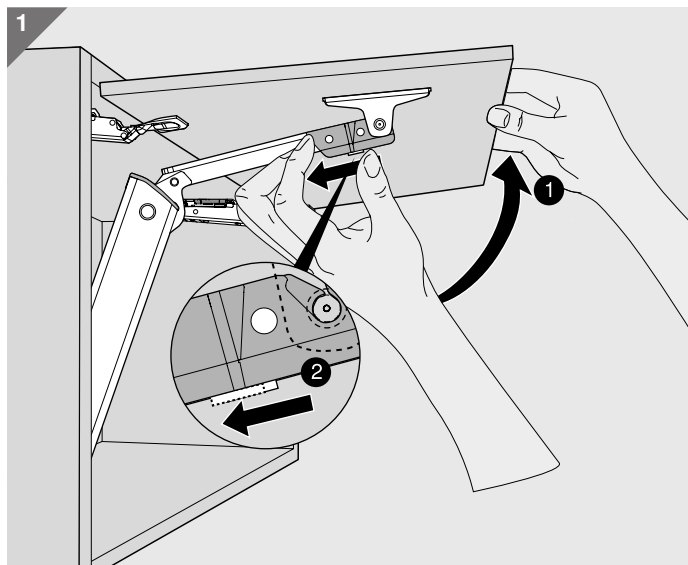
± 2 mm



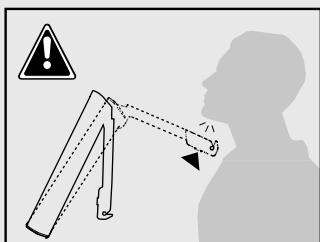
± 3 mm / - 2 mm



# Removal 拆卸指示



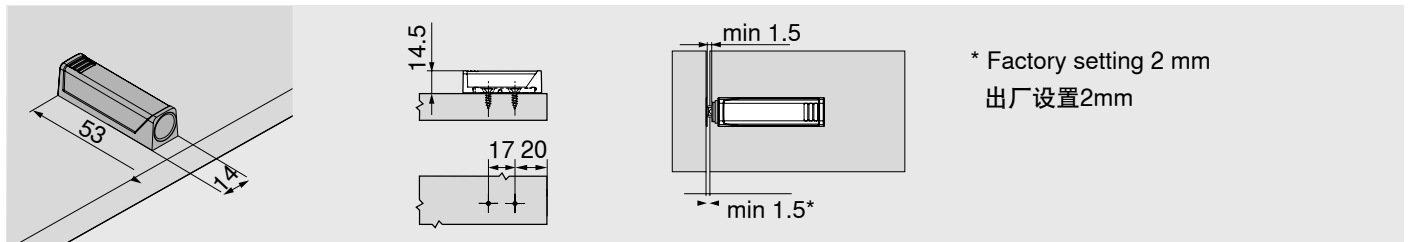
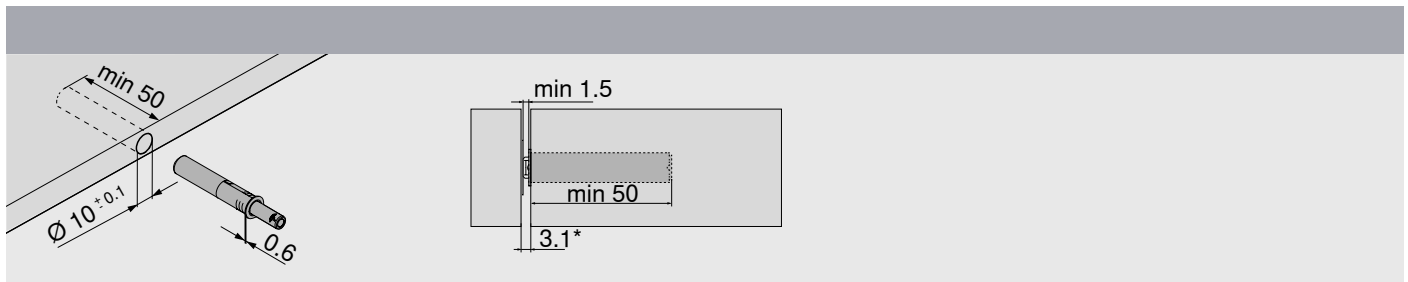
## WARNING 警告



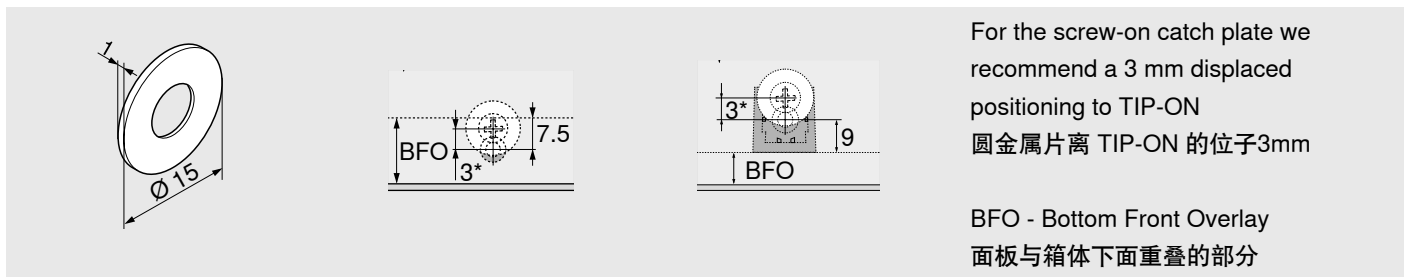
- Do not close the lever arm!  
在没装上门前，请勿把伸缩臂压下
- Lever could spring up and cause injury!  
伸缩臂会弹伤人

# Planning TIP-ON for AVENTOS HK-XS

## 规划于Aventos HK-XS Tip On



\* Factory setting 2 mm  
出厂设置2mm

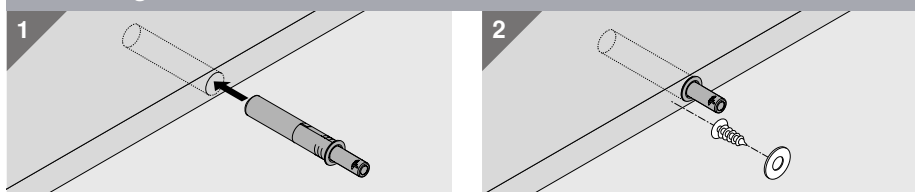


For the screw-on catch plate we recommend a 3 mm displaced positioning to TIP-ON  
圆金属片离 TIP-ON 的位子3mm

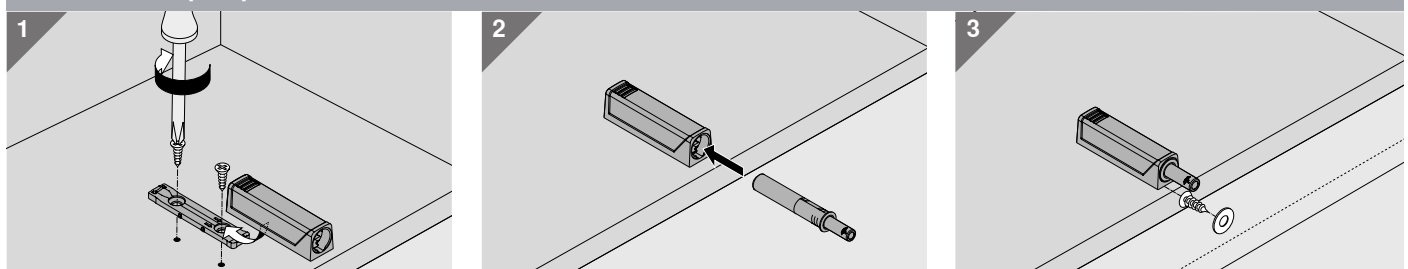
BFO - Bottom Front Overlay  
面板与箱体下面重叠的部分

## Assembly 安装指示

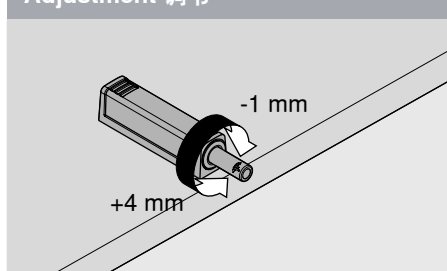
For drilling 钻孔



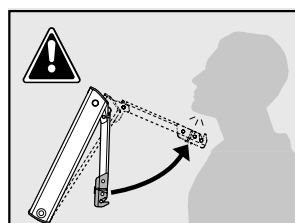
Horizontal adapter plate 一字型底座



Adjustment 调节



**WARNING 警告**



- Do not close the lever arm!  
在没装上门前, 请勿把伸缩臂压下
- Lever could spring up and cause injury!  
伸缩臂会弹伤人